



Industrie Service

EU TYPE-EXAMINATION CERTIFICATE

According to Annex IV, Part A of 2014/33/EU Directive

Certificate No.: EU-BD 819/2

Certification Body of the Notified Body: TÜV SÜD Industrie Service GmbH
Westendstr. 199
80686 Munich - Germany
Identification No. 0036

Certificate Holder: WARNER Electric Europe
7, rue de Champfleür
BP 20095
49124 Saint Barthélemy d'Anjou - France

Manufacturer of the Test Sample: WARNER Electric Europe
7, rue de Champfleür
BP 20095
49124 Saint Barthélemy d'Anjou - France
(Manufacturer of Serial Production – see Enclosure)

Product: Braking device acting on the shaft of the traction sheave, as part of the protection device against overspeed for the car moving in upwards direction and braking element against unintended car movement

Type: ERS VAR07
Size:
SZ300/___, SZ420/___, SZ420/___ SY,
SZ600/___, SZ600/___ SY, SZ800/___,
SZ800/___ AZ

Directive: 2014/33/EU

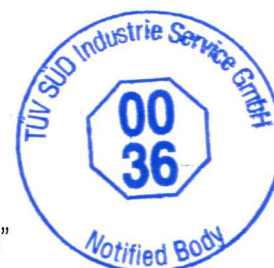
Reference Standards: EN 81-20:2014
EN 81-50:2014
EN 81-1:1998+A3:2009

Test Report: EU-BD 819/2 of 2016-05-13

Outcome: The safety component conforms to the essential health and safety requirements of the mentioned Directive as long as the requirements of the annex of this certificate are kept.

Date of Issue: 2016-05-13

Achim Janocha
Certification Body "lifts and cranes"



**Annex to the EU Type-Examination Certificate
No. EU-BD 819/2 of 2016-05-13**



Industrie Service

1 Scope of application

1.1 Use as braking device – part of the the protection device against overspeed for the car moving in upwards direction – permissible brake torques and tripping rotary speeds

1.1.1 Permissible brake torques and maximum tripping rotary speeds of the traction sheave when the brake device acts on the shaft of the traction sheave while the car is moving upward

Size	Permissible brake torque [Nm]	Max. tripping rotary speed of the traction sheave [rpm]
SZ300/_ _ _	482 - 747	300
SZ300/_ _ _	434 - 689	600
SZ420/_ _ _	547 - 999	300
SZ420/_ _ _	502 - 788	600
SZ420/_ _ _ SY	603 - 1070	600
SZ600/_ _ _	947 - 1306	300
SZ600/_ _ _	724 - 1045	600
SZ600/_ _ _ SY	811 - 1688	600
SZ800/_ _ _	933 - 1811	300
SZ800/_ _ _	900 - 1708	500
SZ800/_ _ _ AZ	1007 - 1871	400

1.1.2 Maximum tripping speed of the overspeed governor and maximum rated speed of the lift

The maximum tripping speed of the overspeed governor and the maximum rated speed of the lift must be calculated on the basis of the traction sheave's maximum tripping rotary speed as outlined above taking into account traction sheave diameter and car suspension.

$$v = \frac{D_{TS} \times \pi \times n}{60 \times i}$$

v = Tripping (rated) speed (m/s)
 D_{TS} = Diameter of the traction sheave from rope's centre to rope's centre (m)
 π = 3.14
 n = Rotary speed (rpm)
 i = Ratio of the car suspension

1.2 Use as braking element – part of the protection device against unintended car movement (acting in up and down direction) – permissible brake torques, tripping rotary speeds and characteristics

1.2.1 Nominal brake torques and response times with relation to a brand-new brake element

Size	Min. nominal brake torque* [Nm]	Intermediate nominal brake torque * [Nm]	Max. nominal brake torque * [Nm]	Max. tripping rotary speed [rpm]	Maximum response times** [ms] with / without overexcitation		
					t ₁₀	t ₅₀	t ₉₀
SZ300/_ _ _	2 x 250 = 500			300	60	93	125
SZ300/_ _ _			2 x 350 = 700	300	50	100	150
SZ300/_ _ _	2 x 250 = 500			600	55	88	120
SZ300/_ _ _			2 x 315 = 630	600	50	90	130
SZ420/_ _ _	2 x 250 = 500			300	60	90	120
SZ420/_ _ _			2 x 450 = 900	300	50	105	160
SZ420/_ _ _	2 x 225 = 450			600	60	75	90
SZ420/_ _ _			2 x 350 = 700	600	60	80	100
SZ420/_ _ _ SY	2 x 360 = 720			600	95	128	160

**Annex to the EU Type-Examination Certificate
No. EU-BD 819/2 of 2016-05-13**



Industrie Service

SZ420/___SY			2 x 420 = 840	600	95	148	200
SZ600/___	2 x 420 = 840			300	80	120	160
SZ600/___		2 x 550 = 1100		300	50	85	120
SZ600/___			2 x 600 = 1200	300	50	100	150
SZ600/___	2 x 315 = 630			600	70	90	110
SZ600/___			2 x 500 = 1000	600	50	90	130
SZ600/___SY	2 x 550 = 1100			600	80	108	135
SZ800/___			2 x 900 = 1800	300	40	75	110
SZ800/___			2 x 800 = 1600	500	40	65	90
SZ800/___AZ	2 x 667 = 1334			400	120	160	200
SZ800/___AZ			2 x 800 = 1600	400	100	125	150

Interim values can be interpolated

Explanations:

- * **Nominal brake torque:** Brake torque assured for installation operation by the safety component manufacturer.
- ** **Response times:** t_x time difference between the drop of the braking power until establishing X% of the nominal brake torque, t_{50} optionally calculated $t_{50} = (t_{10} + t_{90})/2$ or value taken from the examination recording

1.2.2 Assigned execution features

Size	Type of powering / deactivation	Brake control	Nominal air gap [mm]	Damping elements / adhesive foil integrated	Overexcitation
SZ300/___	Continuous current / continuous current end	serial	0.6	yes / yes	at double non-release voltage
SZ420/___	Continuous current / continuous current end	serial	0.6	yes / yes	at double non-release voltage
SZ420/___SY	Continuous current / continuous current end	serial or parallel	0.65	yes / no	at double non-release voltage
SZ600/___	Continuous current / continuous current end	serial	0.6	yes / yes	at double non-release voltage
SZ600/___SY	Continuous current / continuous current end	serial or parallel	0.65	yes / no	at double non-release voltage
SZ800/___	Continuous current / continuous current end	serial	0.4	yes / yes	no
SZ800/___AZ	Continuous current / continuous current end	parallel	0.65	no / no	no

2 Conditions

2.1 Above mentioned safety component represents only a part at the protection device against over-speed for the car moving in upwards direction and unintended car movement. Only in combination with a detecting and triggering component in accordance with the standard (two separate components also possible), which must be subjected to an own type-examination, can the system created fulfil the requirements for a protection device.

**Annex to the EU Type-Examination Certificate
No. EU-BD 819/2 of 2016-05-13**



Industrie Service

- 2.2 The installer of a lift must create an examination instruction to fulfil the overall concept, add it to the lift documentation and provide any necessary tools or measuring devices, which allow a safe examination (e. g. with closed shaft doors).
- 2.3 The manufacturer of the drive unit must provide calculation evidence that the connection traction sheave – shaft – brake disc and the shaft itself is sufficiently safe, if the brake disc is not a direct component of the traction sheave (e. g. casted on). The shaft itself has to be statically supported in two points.
An evidence must be enclosed with the technical documentation of the lift.
- 2.4 The setting of the brake torque has to be secured against unauthorized adjustment (e. g. sealing lacquer).
- 2.5 The respective identification drawing according to the following table shall be included to the EU type-examination certificate for the identification and information of the general construction and operation and distinctness of the approved type:

Size	No. of the identification drawing	Date of stamp
SZ300/_ _ _	1 12 107185	01.07.2009
SZ420/_ _ _	1 12 107272	15.03.2010
SZ420/_ _ _ SY	I-1 12 108237	09.03.2016
SZ600/_ _ _	1 12 107273	15.03.2010
SZ600/_ _ _ SY	I-1 12 108239	09.03.2016
SZ800/_ _ _	I-1 12 107213	09.03.2016
SZ800/_ _ _ AZ	I-1 12 108244	09.03.2016

- 2.6 The EU type-examination certificate may only be used in combination with the corresponding annex and enclosure (List of authorized manufacturer of the serial production). The enclosure will be updated immediately after any change by the certification holder.

3 Remarks

- 3.1 The brake moments effectively adjusted of one brake circuit will be marked at the blank after the type designation ERS VAR07 SZXXX/_ _ _ XX.
- 3.2 In the scope of this type-examination it was found out, that the brake device also functions as a brake for normal operation, is designed as a redundant system and therefore meets the requirements to be used also as a part of the protection device against overspeed for the car moving in upwards direction and as braking element as part of the protection device against unintended car movement.
- 3.3 Checking whether the requirements as per section 5.9.2.2 of EN 81-20:2014 (D) have been complied with is not part of this type examination.
- 3.4 Other requirements of the standard, such as reduction of brake torque respectively brake force due to wear or operational caused changes of traction are not part of this type examination.
- 3.5 This EU type-examination certificate was issued according to the following standards:
 – EN 81-1:1998 + A3:2009 (D), Annex F.7 and F.8
 – EN 81-20:2014 (D), part 5.6.6.11, 5.6.7.13
 – EN 81-50:2014 (D), part 5.7 and 5.8
- 3.6 A revision of this EU type-examination certificate is inevitable in case of changes or additions of the above mentioned standards or of changes of state of the art.

**Enclosure to the EU Type-Examination Certificate
No. EU-BD 819/2 of 2016-05-13**



Industrie Service

Authorised Manufacturer of Serial Production – Production Sites (valid from: 2016-01-22):

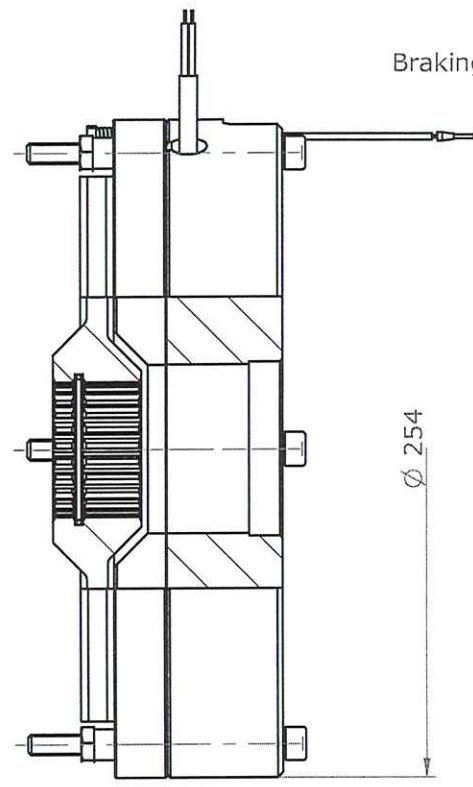
Company WARNER Electric Europe
Address 7, rue de Champfleür
BP 20095
49124 Saint Barthélemy d'Anjou - France

Company Altra Industrial Motion Shenzhen Co. Ltd.
Address Dabo Industry Zone
18 Huanzhen Road
Bogang County, Shajing Town
Baoan District, Shenzhen City
518104 Guangdong province - China (PRC)

- END OF DOCUMENT -

Les cotes sans indication de tolérances sont des cotes nominales.
 Untoleranced dimensions are nominal dimensions.

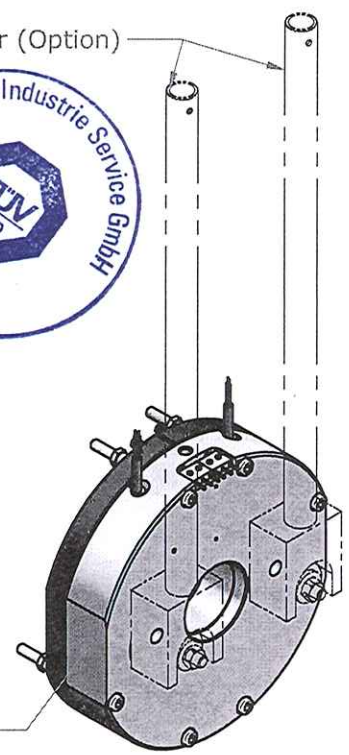
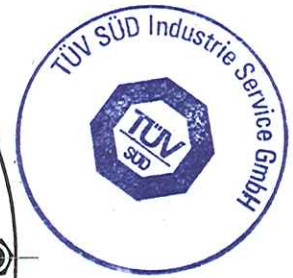
NOTES



Braking circuit B

Braking circuit A

Hand lever (Option)

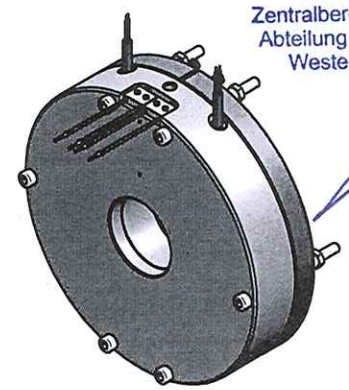
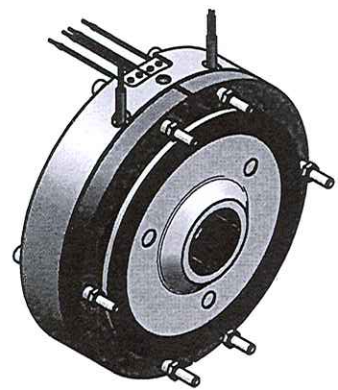


1. Juli 2009

- GEPRÜFT -

TÜV SÜD Industrie Service GmbH
 Zentralbereich Fördertechnik-Sonderbauten
 Abteilung Aufzüge und Sicherheitsbauteile
 Westendstr. 199, D-80688 München
 Der Sachverständige

Alternative shape (option)



TUV DIFFUSION

Client/customer:		Customer ref :							
Ms (Nm) :		Dimensions in mm	FM	LT	REVISION		DATE	By	Ch.
Md (Nm) :			Manual/Notice : SM		Drawn : G. Ferrand		Date: 21.04.09		
n Md (min-1) :		Mass :	Scale: 1:1		Checked: JCS		Date: 21.04.09		
n max (min-1) :		Insulation class (°C):							
U (Vdc) :		Ce plan est la propriété de Warner Electric Europe, il ne peut être divulgué ni reproduit entièrement ou partiellement, sans autorisation écrite.							
P20°C (W) :		This document is the property of Warner Electric Europe, it is not to be disclosed or reproduced totally or partially, without written permission.							

Design: Frein électromagnétique Electromagnetic brake	
Type: ERS VAR07 SZ300/300	
N° 1 12 107185	

Warner
 Electric
 Europe

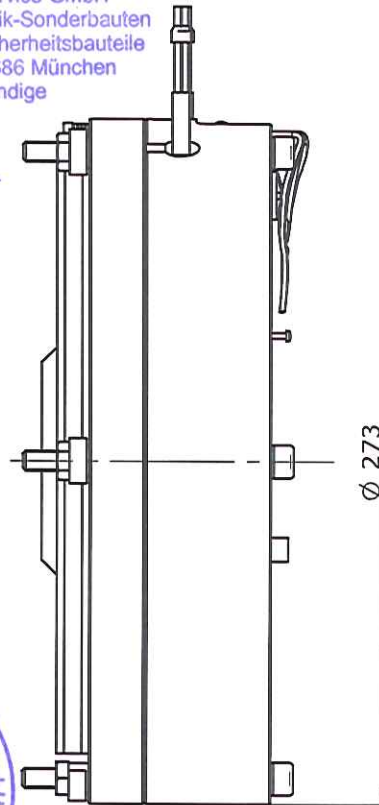
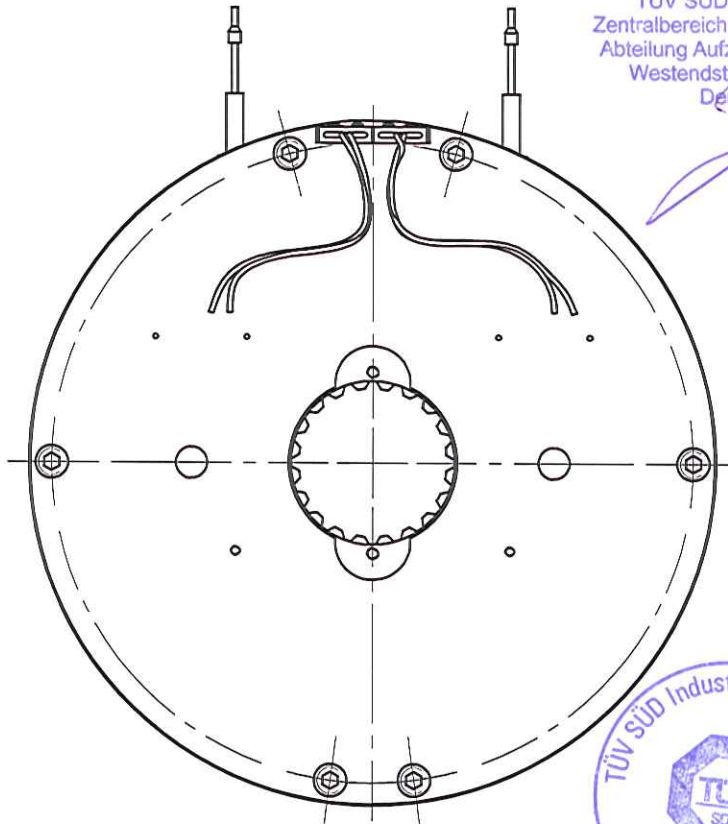
15. März 2010

- GEPRÜFT -
 TÜV SÜD Industrie Service GmbH
 Zentralbereich Fördertechnik-Sonderbauten
 Abteilung Aufzüge und Sicherheitsbauteile
 Westendstr. 199, D-80686 München
 Der Sachverständige

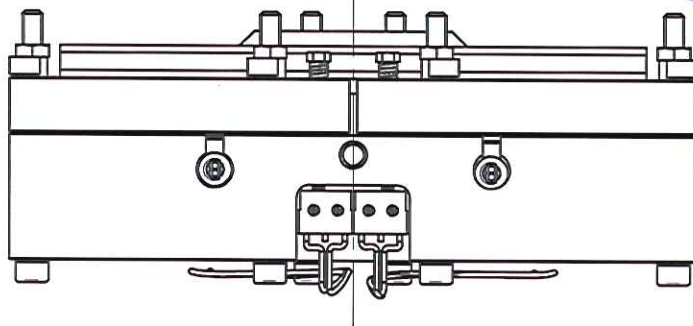
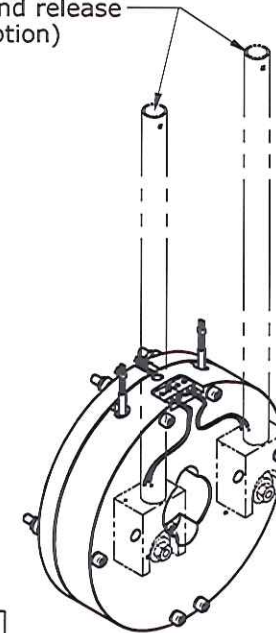


Les cotes sans indication de tolérances sont des cotes nominales.
 Untoleranced dimensions are nominal dimensions.

NOTES



Hand release (option)



TUV DIFFUSION

Client/customer:		Customer ref :
Ms (Nm) :		
Md (Nm) :		
n Md (min-1) :		
n max (min-1) :		
U (Vdc) :		
P20°C (W) :		
Insulation class (°C):		

FM	LT	REVISION	DATE	By	Ch.

Ce plan est la propriété de Warner Electric Europe, il ne peut être divulgué ni reproduit entièrement ou partiellement, sans autorisation écrite.
 This document is the property of Warner Electric Europe, it is not to be disclosed or reproduced totally or partially, without written permission.

Warner
 Electric
 Europe

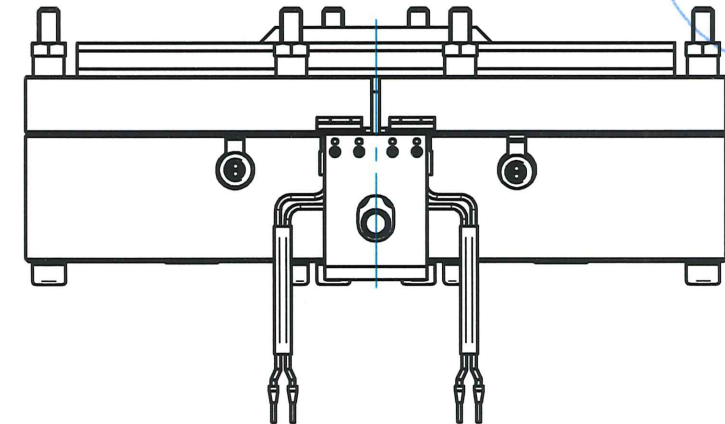
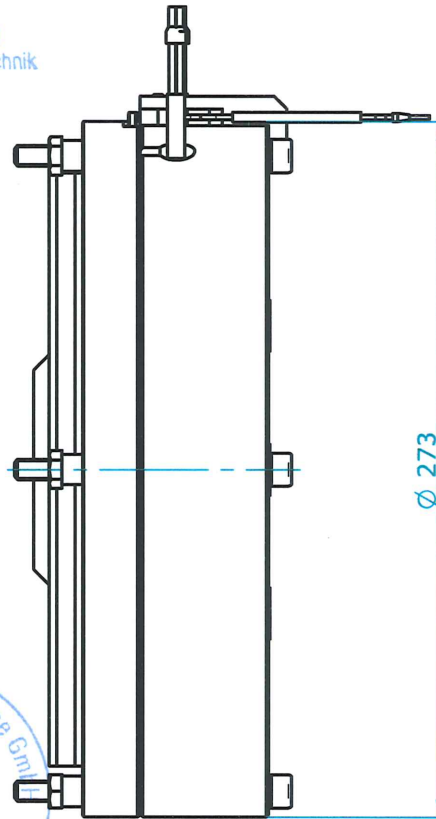
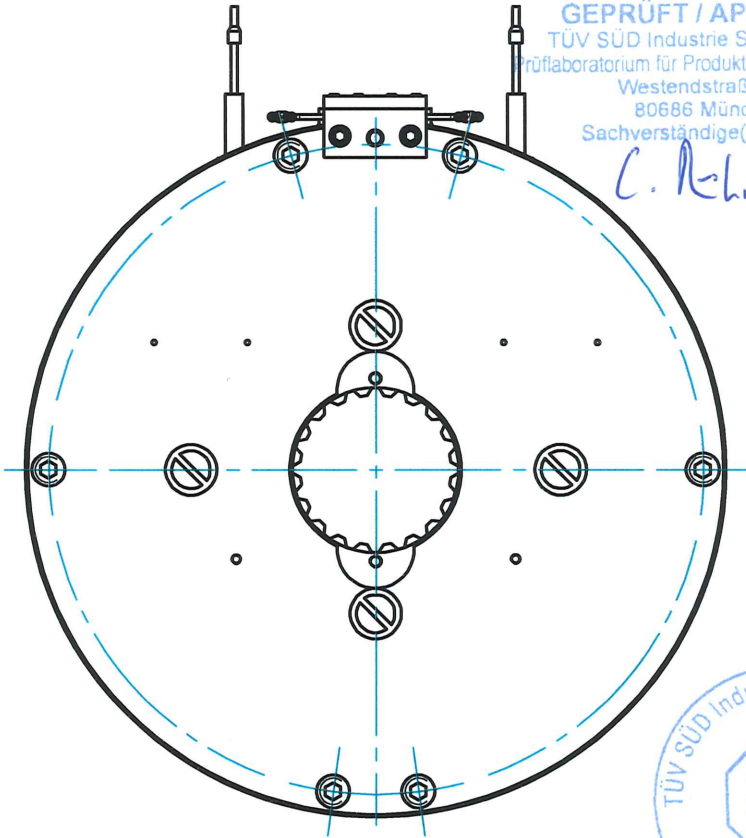
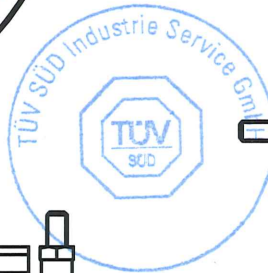
Design.:	Frein électromagnétique Electromagnetic brake
Type:	ERS VAR07 SZ420/----
N°	1 12 107272

A3 CAD SE

0 9. MRZ. 2016

GEPRÜFT / APPROVED
 TÜV SÜD Industrie Service GmbH
 Prüflaboratorium für Produkte der Fördertechnik
 Westendstraße 199
 80686 München
 Sachverständige(r) / Expert

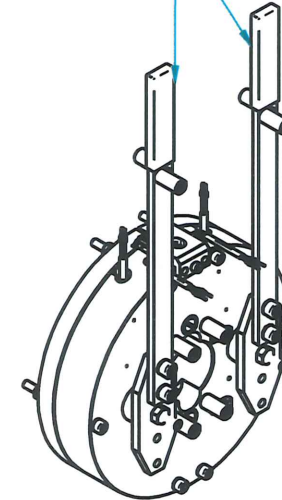
C. Lehmege



Les cotes sans indication de tolérances sont des cotes nominales.
 Untoleranced dimensions are nominal dimensions.

NOTES

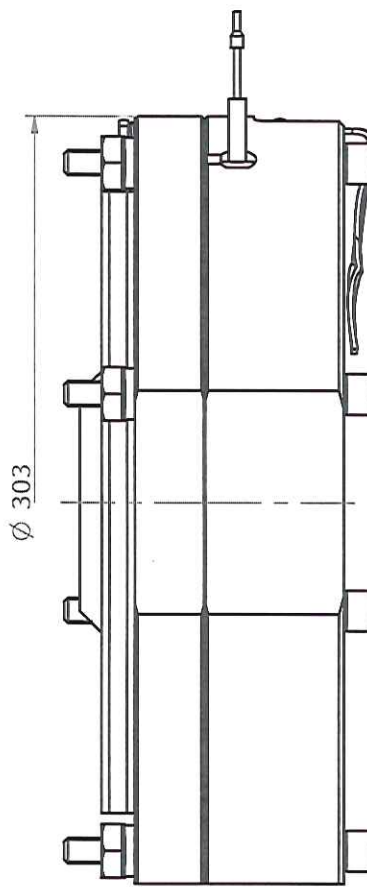
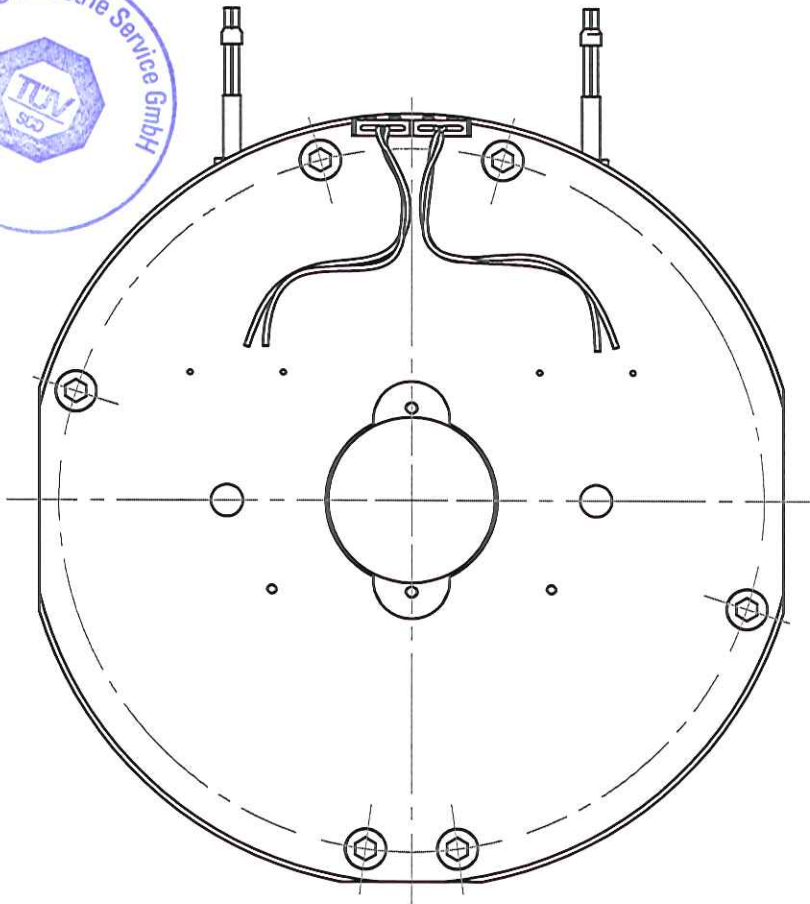
Hand release (option)



TUV Diffusion

Last modifications in Blue Dernières modifications en Bleu					
Client / Customer:					
Ms (Nm) :	Customer ref:				
Md (Nm) :	Dimensions in mm	A	Drawing creation	18/02/16	JE
n Md (min-1) :	Manual / Notice:	FM	LT	REVISION	DATE By Ch.
n max (min-1) :	Mass:	Drawn: J.Emery		Date: 18/02/16	
U (Vdc) :	Scale:	Checked: JG		Date: 19/02/16	
P 20°C :		Design.: Frein électromagnétique			
Insulation class (°C) :		Electromagnetic brake			
Electric Clutch Brake Group Warner Electric • Matrix International Inertia Dynamics • Warner Linear www.altramotion.com		This document is the property of Warner Electric Europe SAS, it may not be copied or used for any purpose, except directly for the company, without their prior written consent, nor is it to be shown to any third party.			
		Type: ERS VAR07 SZ420/--- SY			
		SAP N°:			
		Dwg N°: I-1 12 108237			
		Rev. A			

A3ens-I CAD SE



Les cotes sans indication de tolérances sont des cotes nominales.
 Untoleranced dimensions are nominal dimensions.

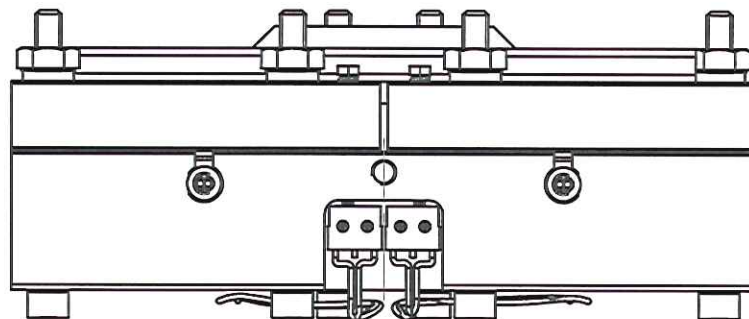
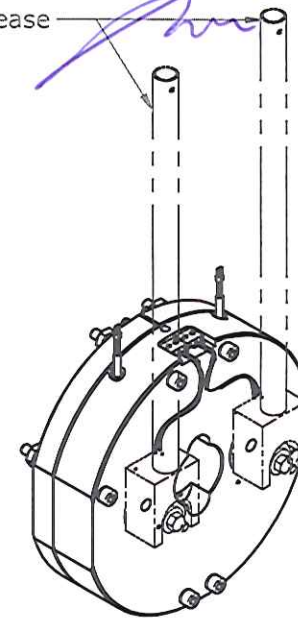
NOTES

15. März 2010

- GEPRÜFT -

TÜV SÜD Industrie Service GmbH
 Zentralbereich Fördertechnik-Sonderbauten
 Abteilung Aufzüge und Sicherheitsbauteile
 Westendstr. 169, D-80686 München
 Der Sachverständige

Hand release
 (option)



TUV DIFFUSION

Client/customer:		Customer ref :							
Ms (Nm) :		Dimensions in mm	FM	LT	REVISION		DATE	By	Ch.
Md (Nm) :									
n Md (min-1) :		Manual/Notice :			Drawn : G. Ferrand		Date: 04.01.10		
n max (min-1) :		SM			Checked: JJ		Date: 04.01.10		
U (Vdc) :		Mass :	Scale:						
P20°C (W) :									
Insulation class (°C):		Frein électromagnétique							
Ce plan est la propriété de Warner Electric Europe, il ne peut être divulgué ni reproduit entièrement ou partiellement, sans autorisation écrite.		Electromagnetic brake							
This document is the property of Warner Electric Europe, it is not to be disclosed or reproduced totally or partially, without written permission.		Warner Electric Europe							
		Type: ERS VAR07 SZ600/---							
		N° 1 12 107273							

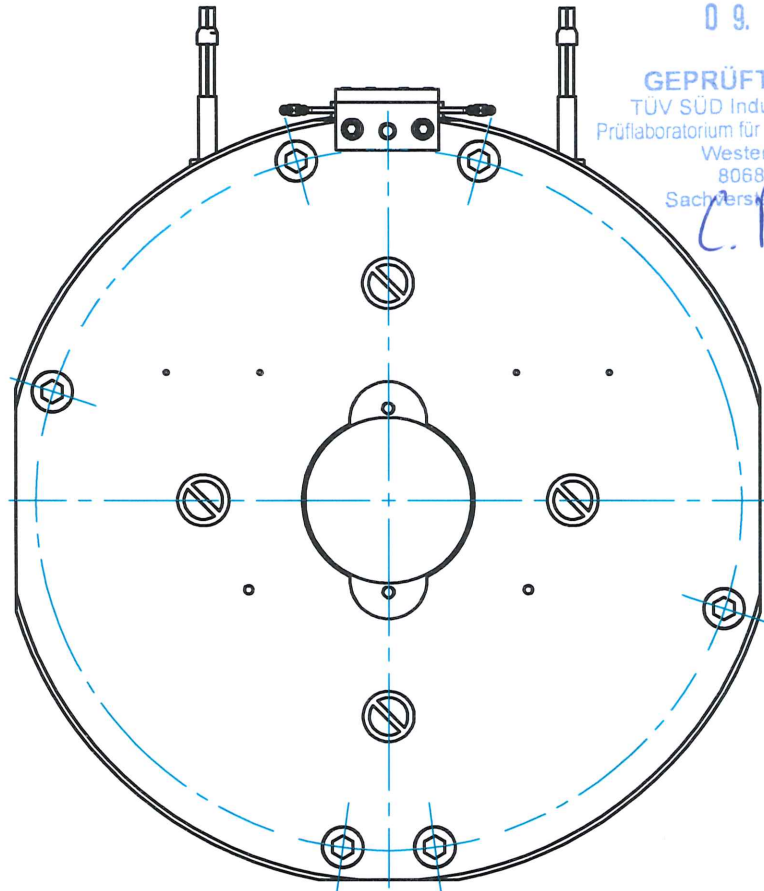
A3 CAD SE

0 9. MRZ. 2016

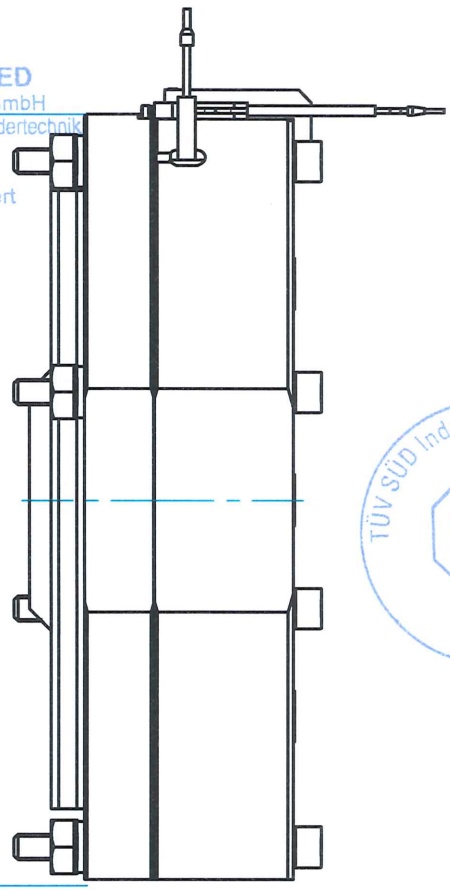
GEPRÜFT / APPROVED
 TÜV SÜD Industrie Service GmbH
 Prüflaboratorium für Produkte der Fördertechnik
 Westendstraße 199
 80686 München
 Sachverständige(r) / Expert
C. Schumpe

Les cotes sans indication de tolérances sont des cotes nominales.
 Untoleranced dimensions are nominal dimensions.

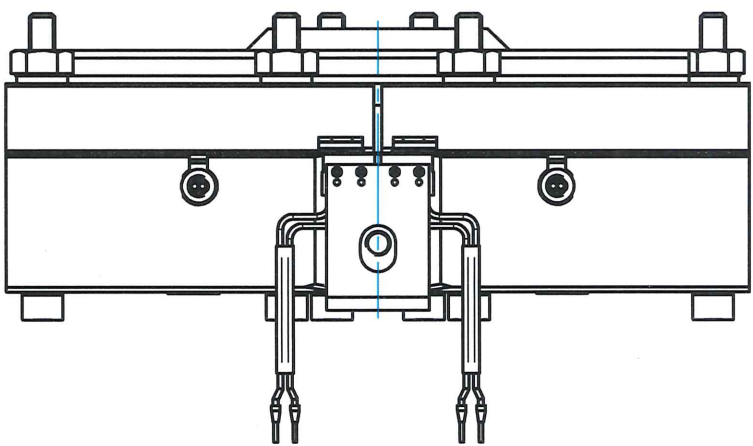
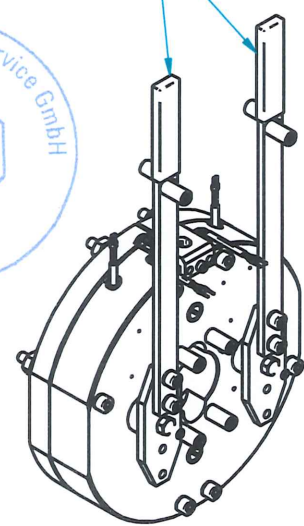
NOTES




Ø 303



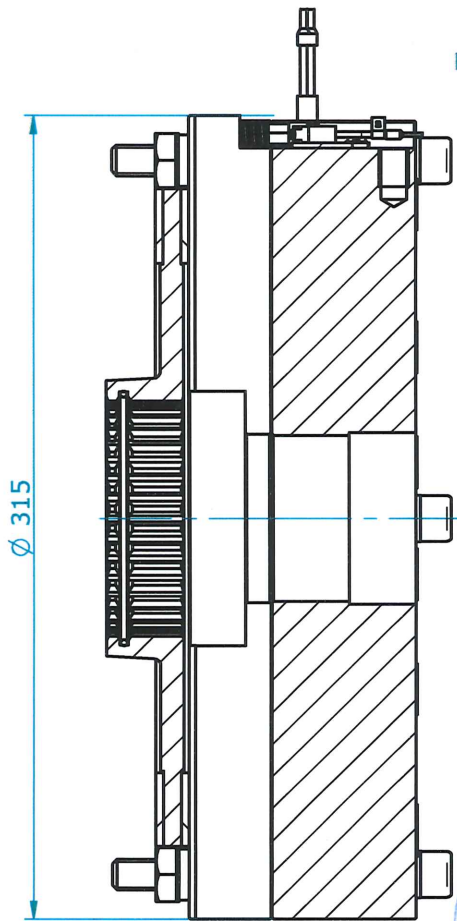
Hand release (option)



TUV Diffusion

Last modifications in Blue Dernières modifications en Bleu					
Client / Customer:					
Ms (Nm) :	Customer ref:				
Md (Nm) :	Dimensions in mm	A	Drawing creation	18/02/16	JE
n Md (min-1) :	Manual / Notice:	FM	LT	REVISION	DATE
n max (min-1) :	Mass:	Drawn: J.Emery		Date: 18/02/16	
U (Vdc) :	Scale:	Checked: <i>J.E</i>		Date: 19/02/16	
P 20°C :		Design.: Frein électromagnétique Electromagnetic brake			
Insulation class (°C) :	This document is the property of Warner Electric Europe SAS, it may not be copied or used for any purpose, except directly for the company, without their prior written consent, nor is it to be shown to any third party.	Type: ERS VAR07 SZ600/--- SY			
 Electric Clutch Brake Group Warner Electric • Matrix International Inertia Dynamics • Warner Linear www.altramotion.com		SAP N°:			
Dwg N°: I-1 12 108239					Rev. A

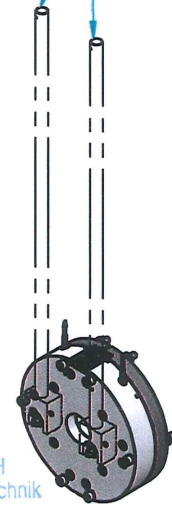
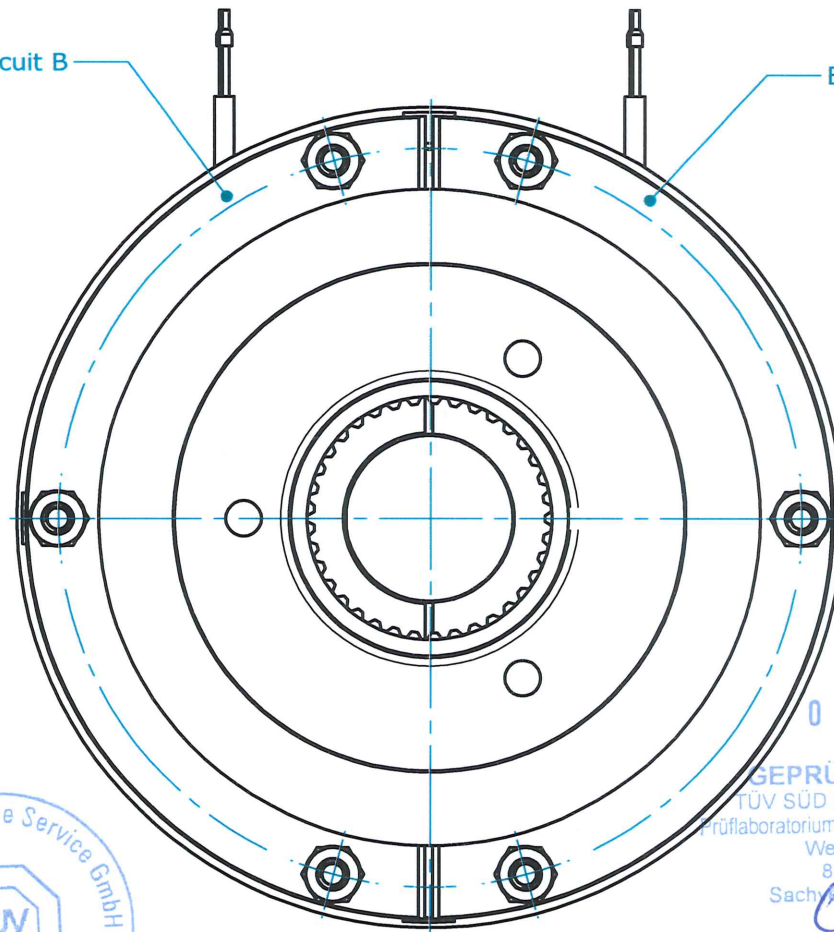
A3ens-I CAD SE



Braking circuit B

Braking circuit A

Hand lever (option)

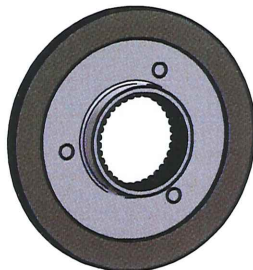
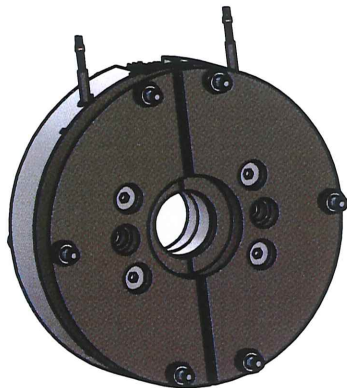


09. MRZ. 2016

GEPRÜFT / APPROVED
 TÜV SÜD Industrie Service GmbH
 Prüflaboratorium für Produkte der Fördertechnik
 Westendstraße 199
 80686 München
 Sachverständige(r) / Expert



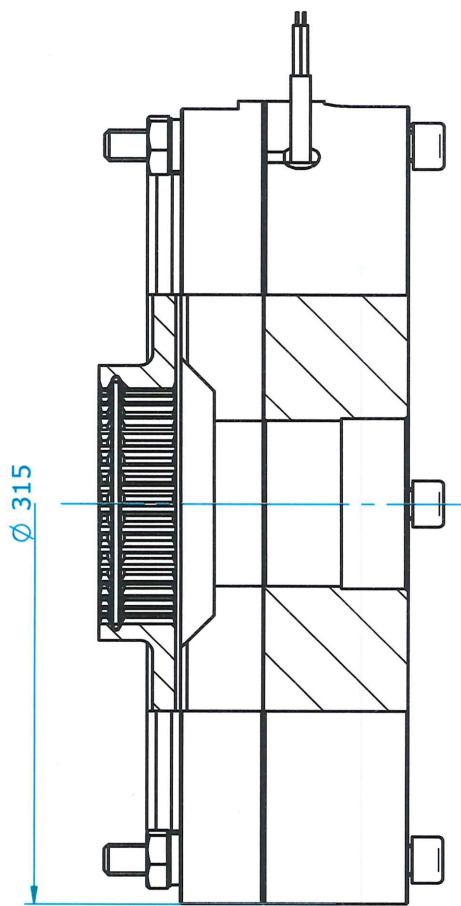
TUV DIFFUSION



Last modifications in Blue Dernières modifications en Bleu						
Client / Customer:						
Ms (Nm) :	Customer ref:					
Md (Nm) :						
n Md (min-1) :	Dimensions in mm	FM	LT	REVISION	DATE	By Ch.
n max (min-1) :	Manual / Notice:					
U (Vdc) :	SM			Drawn: J.Emery	Date: 25/02/16	
P 20°C :	Mass: Scale:			Checked: JG	Date: 25/02/16	
Insulation class (°C) :				Design.: Electromagnetic Brake Frein Electromagnétique		
This document is the property of Warner Electric Europe SAS, it may not be copied or used for any purpose, except directly for the company, without their prior written consent, nor is it to be shown to any third party.		Type: ERS VAR07 SZ800/---			Rev. B	
 Electric Clutch Brake Group Warner Electric • Matrix International Inertia Dynamics • Warner Linear		Dwg N°: I-1 12 107213			SAP N°:	

CAD SE

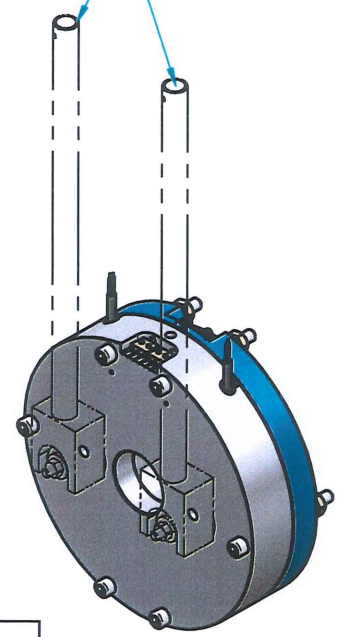
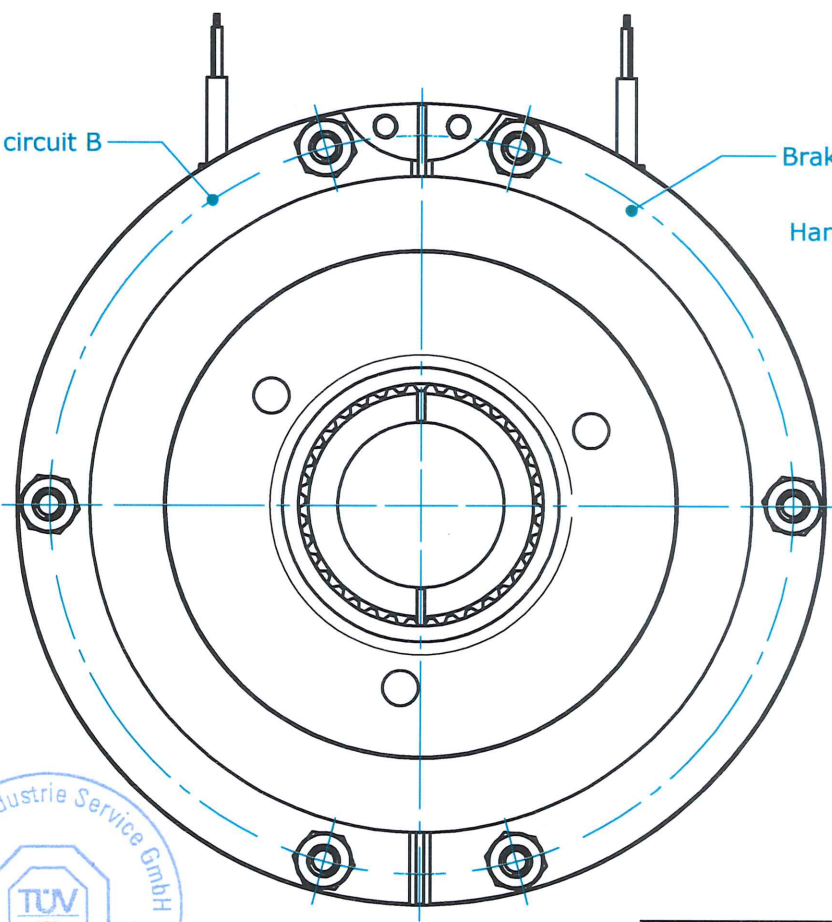
A3ens



Braking circuit B

Braking circuit A

Hand lever (option)

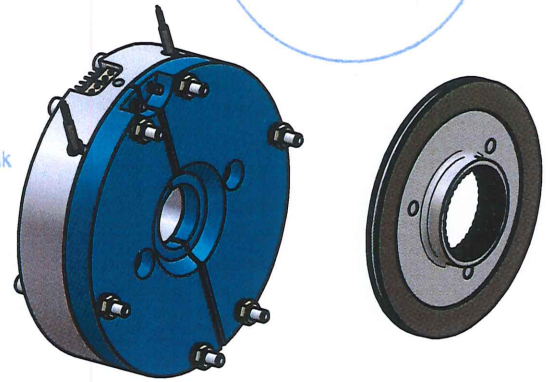


TUV DIFFUSION

0 9. MRZ. 2016

GEPRÜFT / APPROVED
 TÜV SÜD Industrie Service GmbH
 Prüflaboratorium für Produkte der Fördertechnik
 Westendstraße 199
 80686 München
 Sachverständige(r) / Expert

C. Kelzinger



Last modifications in Blue Dernières modifications en Bleu					
Client / Customer:					
Ms (Nm) :	Customer ref:				
Md (Nm) :	Dimensions in mm	FM	LT	REVISION	DATE
n Md (min-1) :	Manual / Notice:			25/02/16	JE
n max (min-1) :	SM			By	Ch.
U (Vdc) :	Mass:			Date: 25/02/16	
P 20°C :	Scale:			Date: 25/02/16	
Insulation class (°C) :	Design.: Frein électromagnétique Electromagnetic brake				
Electric Clutch Brake Group Warner Electric • Matrix International Inertia Dynamics • Warner Linear		Type: ERS VAR07 SZ800/--- AZ Dwg N°: I-1 12 108244 SAP N°:			
This document is the property of Warner Electric Europe SAS, it may not be copied or used for any purpose, except directly for the company, without their prior written consent, nor is it to be shown to any third party.				Rev.	A

CAD SE

A3ens