



Type Examination

No. BSI-LB-516943

Issued to:

Hebei Dongfang Fuda Machinery Co. Ltd

No. 112, Guangming East Avenue

Langfang City,

Hebei Province

Post Code: 065000

Peoples Republic of China

In respect of:

Energy Dissipation Buffer model YH52/175

on the basis of our examination under the requirements of Council Directive 95/16/EC, Annex V:A, The Lift Directive, as recorded in BSI Report No. 239/ 7018833 dated 3 May 2007.

For and on behalf of the British Standards Institution, a Notified Body for the above Directive (Notified Body Number 0086):

Alastair Trivett, Managing Director, BSI Product Services- Global

First Issued: 3 May 2007

Issue: 1 Date: 3 May 2007

Page: 1 of 3

Type Examination

No. BSI-LB-516943

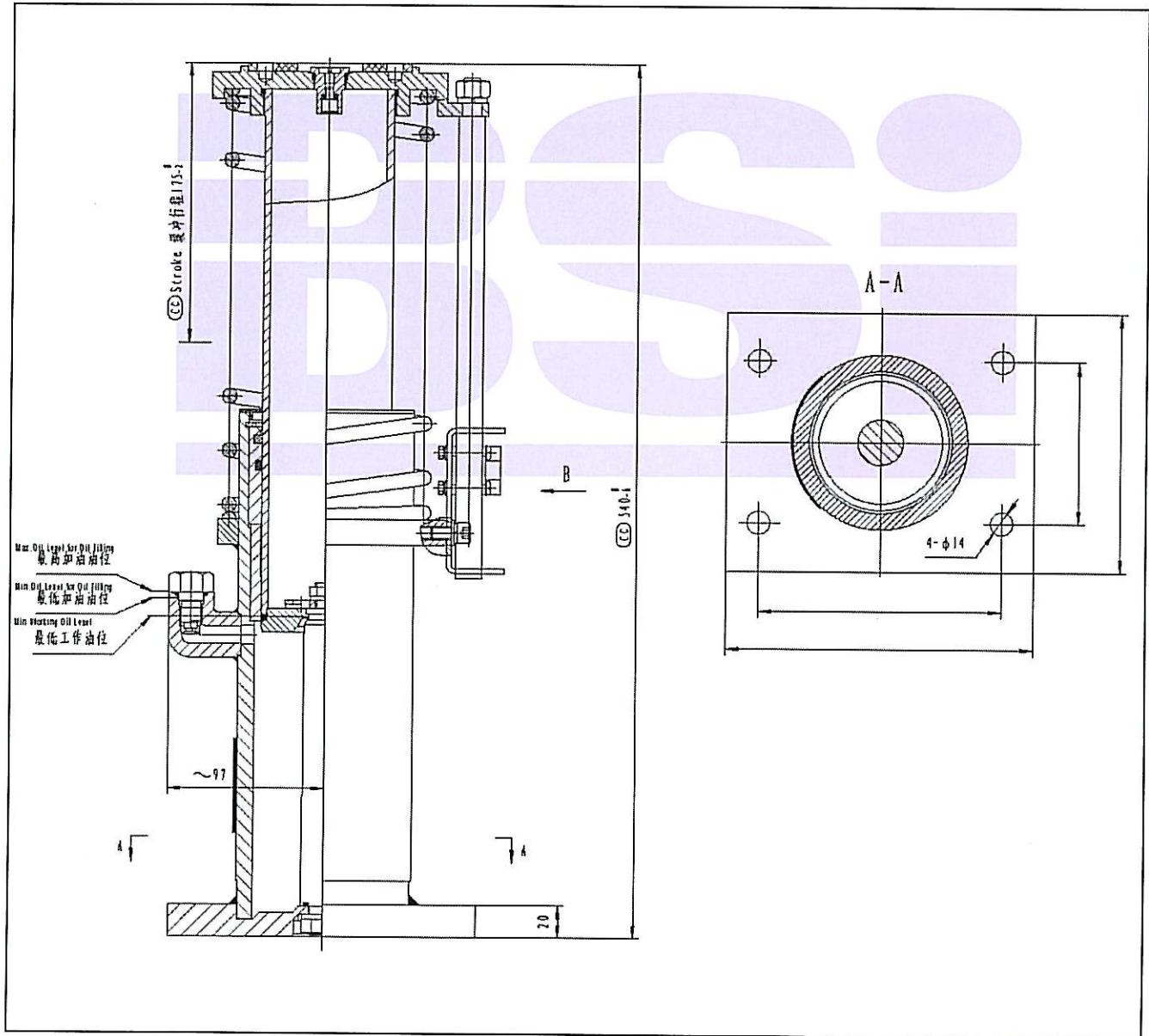
Scope of Certificate for energy dissipation buffer model YH52/175 is installed to operate under the following conditions:

1. For use with a minimum mass of 600kg.
2. For use with a maximum mass of 4560kg.
3. With a maximum impact speed of up to 1.84m/s.
4. For use with hydraulic fluid type that meets ISO VG 68.

Type Examination

No. BSI-LB-516943

Energy Dissipation Buffer model YH52/175



First Issued: 3 May 2007

Issue: 1 Date: 3 May 2007

Page: 3 of 3