

### 组件装配流程(图例):

- 1、将待装零件②平稳的放在装配架上, 件①、件④注入定量润滑脂后, 待用, 使件①外圈受力, 缓缓压入件②的中心孔中。
- 2、翻转件②180° 装配件③, 注意轻放, 件④对其内外圈同时施加压力, 使件④件③一起缓缓压入件②的内孔及件①中心孔中。
- 3、装配件②轮毂两端的弹性挡圈件⑤。
- 4、利用注脂机通过件⑥定量注入相应的润滑脂; 调试, 装配完成。

### Component assembly process (illustration):

1. Put ② on the assemble frame steadily, then smear some grease oil into part ① and part ④, press part ① into the center bore of part ②.
2. Overturn part ② 180° to assemble part ③, smear some grease oil into part ④, press part ④ and part ③ together into the inner hole of part ② and center hole of part ①.
3. Assemble part ⑤.
4. Quantitative injection of grease through part ⑥ by using the grease injection machine; debugging, assembly completed.

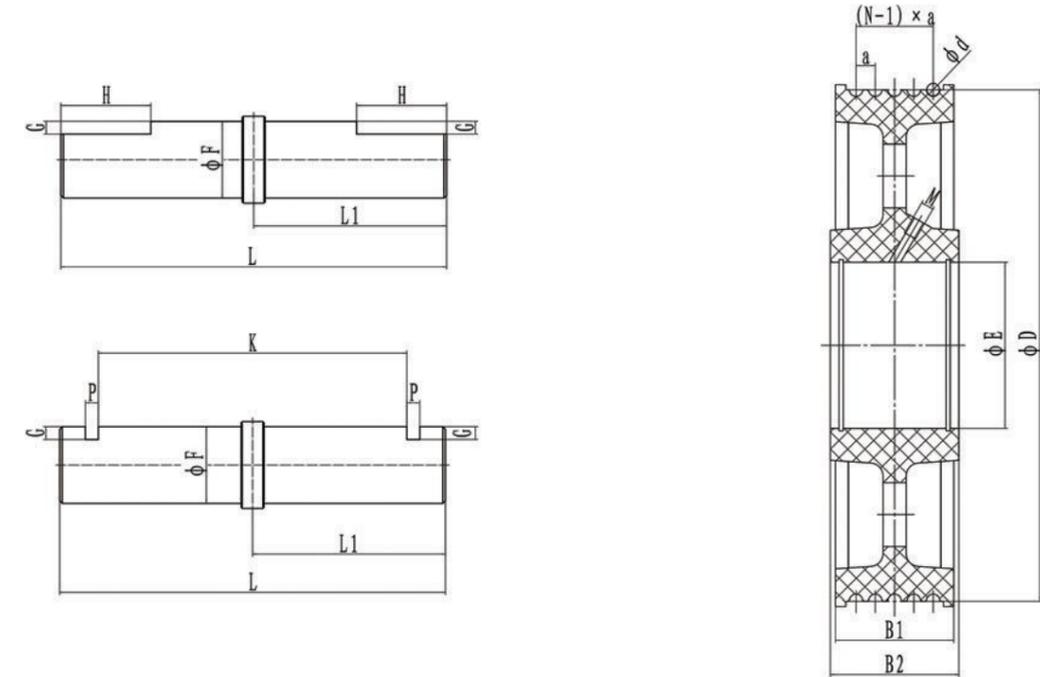
### 组件拆卸流程(图例):

- 1、拆卸件②轮毂两端的弹性挡圈件⑤。
- 2、将待拆卸组件平衡的放在工作台上, (下方放防护垫以免中心轴从组件落下后受损)采用木质垫块平放在件③向上的一端, 对其垫块施加压力, 直至下端件①和件②脱离。
- 3、翻转件②180° 拆卸件④注意轻放, 对其轴承外圈施加压力, 直到下端轴承脱离件②, 拆卸件①注意轻放, 拆卸完成。

### Component disassembly process (illustration):

1. Take part ⑤ out of the pulley.
2. Put the subassembly on worktable steadily ( put one protection pad under the subassembly in order to prevent central axis damaged ), put one wooden mat on part ③, Apply pressure to the pad until the part ① and part ② is removed.
3. Overturn part ② 180° to take part ④ out of pulley, press the outside circle of bearings until the bottom bearing out from ②, Finished.

绳轮参数一览表 Parameters table of Sheave		
$\phi D$	尼龙轮节径	Pitch diameter of MC nylon
$\phi E$	尼龙轮内孔	Inner diameter of MC nylon
N	尼龙轮槽数	Groove number of MC nylon
$\phi d$	钢丝绳直径	Diameter of wire rope
a	槽距	Distance between grooves
B1/B2	轮宽/毂宽	Pulley width / hub width
M	注油孔	Oil hole



辅助参数 Auxiliary parameters							
NO	梯型 Elevator type	额定载重 Rated load	轿厢自重 Car weight	梯速 Speed	曳引比 Traction ratio	轮位置 Pulley location	件数/台 Number / unit
绳轮尺寸参数 Parameters of sheave dimension							
NO	D	E	N	d	a	B1/B2	M
轴尺寸参数 Parameters of shaft dimension							
NO	F	G	H	L1	L	K	P
备注 (其它需求) / Remarks							

- 1、轴承品牌由我司选配或客户指定。
- 2、适合电梯曳引比为2: 1、4:1等。
- 3、参考电梯自重约为其额定载重的1.2倍, 中高速电梯约为1.3倍。
- 4、尼尔公司对表中数据保留最终更改及解释权。
- 5、表格中数据仅供参考, 具体请以双方确认图纸为准。

1. Bearing brand is selected by our company or customer.
2. The elevator traction ratio is 2:1 & 4:1.
3. Elevator weight is about 1.2 times of the rated load, and 1.3 times if middle or high-speed elevators.
4. Nier reserves the right to final change and explanation to the table data.
5. The data in the table is just for reference only. Please refer to the drawing confirmed by both parties for the details.



MC尼龙制品是一种高强度的铸型尼龙，其独特的性能远远超越了其它工程塑料，由于它的内在弹性、非极性和极快的工作应力释放能力，因此不会产生永久的变形。MC尼龙产品不但耐磨、而且减轻了设备的总重等特点，同时其自润滑性也大幅度降低了与其相配合金属表面因摩擦而产生的机械性损伤，延长了金属件的工作寿命。MC尼龙产品已广泛应用于各种轻、重型设备上，如工程机械、起重、建筑、矿山、化工、石油、船舶、纺织、铁路等制造领域。

MC nylon is one kind of high-intensity cast nylon, whose unique performance is much better than other engineering plastics. It doesn't generate permanent deformation because of the inherent flexibility, non-polarity and fast working stress release ability. MC nylon is not only wear-resistant, but also reduces overall weight of the equipment, meanwhile, its self-lubrication also reduces the mechanical damage on metal surface caused by surface friction. As a result, MC nylon will prolong the service life of metal part. At present, MC nylon is widely used in variety of light & heavy equipment, such as engineering machinery, cranes construction, mine, chemical industry, petroleum industry, shipbuilding, textiles, railways and other manufacturing fields.



轮节径 [D]	序号	产品代码	槽数 [N]	绳径 [d]	槽距 [a]	孔径 [E]	轮宽 [B1]	毂宽 [B2]	梯速 [m/s]
φ 150	1	NE150-001	3	φ 6	12	φ 80	60	70	≤ 2.0
	2	NE150-002	4	φ 6	12	φ 80			≤ 2.0
	3	NE150-003	5	φ 6	12	φ 90			≤ 2.0
	4	NE150-004	6	φ 6	12	φ 90			≤ 2.0

轮节径 [D]	序号	产品代码	槽数 [N]	绳径 [d]	槽距 [a]	孔径 [E]	轮宽 [B1]	毂宽 [B2]	梯速 [m/s]
φ 200	1	NE200-001	3	φ 8	12	φ 80	60	70	≤ 2.0
	2	NE200-002	4	φ 8	12	φ 90			≤ 2.0
	3	NE200-003	5	φ 8	12	φ 100			≤ 2.0
	4	NE200-004	6	φ 8	12	φ 110			≤ 2.0

轮节径 [D]	序号	产品代码	槽数 [N]	绳径 [d]	槽距 [a]	孔径 [E]	轮宽 [B1]	毂宽 [B2]	梯速 [m/s]
φ 240	1	NE240-001	3	φ 8	12	φ 80	60	70	≤ 2.0
	2	NE240-002	4	φ 8	12	φ 90			≤ 2.0
	3	NE240-003	5	φ 8	12	φ 100			≤ 2.0
	4	NE240-004	6	φ 8	12	φ 110			≤ 2.0

轮节径 [D]	序号	产品代码	槽数 [N]	绳径 [d]	槽距 [a]	孔径 [E]	轮宽 [B1]	毂宽 [B2]	梯速 [m/s]
φ 320	1	NE320-001	4	φ 8	12	φ 90-φ 100	60	85	≤ 2.0
	2	NE320-002				φ 110		90	≤ 2.0
	3	NE320-003				φ 120		95	≤ 2.0
	4	NE320-004				φ 130		95	≤ 2.0
	5	NE320-005	4	φ 8	12	φ 90-φ 100	72	85	≤ 2.0
	6	NE320-006				φ 110		90	≤ 2.0
	7	NE320-007				φ 120		95	≤ 2.0
	8	NE320-008				φ 130		95	≤ 2.0
	9	NE320-009	4	φ 8	12	φ 90-φ 100	84	85	≤ 2.0
	10	NE320-010				φ 110		90	≤ 2.0
	11	NE320-011				φ 120		95	≤ 2.0
	12	NE320-012				φ 130		95	≤ 2.0

备注:

1. 尼尔可以根据客户需求提供轴承、轴、U型螺栓等相关零部件。
2. 尼尔可以根据客户需求，制作其它非标电梯传动轮。
3. 其余规格 φ 220/φ 250/φ 260/φ 280/φ 290/φ 300/φ 330/φ 350/φ 360/φ 410/φ 440/φ 450/φ 480/φ 500/φ 540/φ 600 等均有销售，欢迎咨询!

REMARKS:

1. Nier can supply bearing, shaft, U-bolt and other accessory according to customer's request.
2. Nier can supply nylon pulley according to customer's request.
3. Nier can also produce other size according to your request, such as φ 220/φ 250/φ 260/φ 280/φ 290/φ 300/φ 330/φ 350/φ 360/φ 410/φ 440/φ 450/φ 480/φ 500/φ 540/φ 600, if any question, please feel free to contact us!

## 常用规格标准化

Common specification standardization

MC尼龙电梯传动轮系列  
MC nylon elevator driving sheave series



轮节径 [D]	序号	产品代码	槽数 [N]	绳径 [d]	槽距 [a]	孔径 [E]	轮宽 [B1]	毂宽 [B2]	梯速 [m/s]				
φ 400	1	NE400-001	4	φ 10	14/15/16	φ 100	73	85	≤2.0				
	2	NE400-002				φ 110		90	≤2.0				
	3	NE400-003				φ 120		95	≤2.0				
	4	NE400-004				φ 130		95	≤2.0				
	5	NE400-005				φ 140		100	≤2.0				
	6	NE400-006	5	φ 10	14/15/16	φ 100	89	85	≤2.0				
	7	NE400-007				φ 110		90	≤2.0				
	8	NE400-008				φ 120		95	≤2.0				
	9	NE400-009				φ 130		95	≤2.0				
	10	NE400-010				φ 140		100	≤2.0				
	11	NE400-011	6	φ 10	14/15/16	φ 100	105	85	≤2.0				
	12	NE400-012				φ 110		90	≤2.0				
	13	NE400-013				φ 120		95	≤2.0				
	14	NE400-014				φ 130		95	≤2.0				
	15	NE400-015				φ 140		100	≤2.0				
	16	NE400-016	7	φ 10	14/15/16	φ 140	121	100	≤2.0				
	17	NE400-017				φ 150		110	≤2.0				
	18	NE400-018				φ 160		120	≤2.0				
	19	NE400-019				φ 140		100	≤2.0				
	20	NE400-020				8		φ 10	14/15/16	φ 150	137	110	≤2.0
	21	NE400-021	φ 160	120	≤2.0								
	22	NE400-022	φ 140	120	≤2.0								
	23	NE400-023	9	φ 10	14/15/16		φ 150			153		120	≤2.0
	24	NE400-024					φ 160					120	≤2.0

### 备注:

1. 尼尔可以根据客户需求提供轴承、轴、U型螺栓等相关零部件。
2. 尼尔可根据客户需求，制作其它非标电梯传动轮。
3. 其余规格 φ 220/φ 250/φ 260/φ 280/φ 290/φ 300/φ 330/φ 350/φ 360/φ 410/φ 440/φ 450/φ 480/φ 500/φ 540/φ 600 等均有销售，欢迎咨询!

### REMARKS:

1. Nier can supply bearing, shaft, U-bolt and other accessory according to customer's request.
2. Nier can supply nylon pulley according to customer's request.
3. Nier can also produce other size according to your request, such as φ220/φ250/φ260/φ280/φ290/φ300/φ330/φ350/φ360/φ410/φ440/φ450/φ480/φ500/φ540/φ600, if any question, please feel free to contact us!

MC尼龙电梯传动轮系列  
MC nylon elevator driving sheave series



轮节径 [D]	序号	产品代码	槽数 [N]	绳径 [d]	槽距 [a]	孔径 [E]	轮宽 [B1]	毂宽 [B2]	梯速 [m/s]				
φ 520	1	NE520-001	4	φ 10	14/15/16	φ 100	73	85	≤2.0				
	2	NE520-002				φ 110		90	≤2.0				
	3	NE520-003				φ 120		95	≤2.0				
	4	NE520-004				φ 130		95	≤2.0				
	5	NE520-005				φ 140		100	≤2.0				
	6	NE520-006	5	φ 10	14/15/16	φ 100	89	85	≤2.0				
	7	NE520-007				φ 110		90	≤2.0				
	8	NE520-008				φ 120		95	≤2.0				
	9	NE520-009				φ 130		95	≤2.0				
	10	NE520-010				φ 140		100	≤2.0				
	11	NE520-011	6	φ 10	14/15/16	φ 100	105	85	≤2.0				
	12	NE520-012				φ 110		90	≤2.0				
	13	NE520-013				φ 120		95	≤2.0				
	14	NE520-014				φ 130		95	≤2.0				
	15	NE520-015				φ 140		100	≤2.0				
	16	NE520-016	7	φ 10	14/15/16	φ 140	121	100	≤2.0				
	17	NE520-017				φ 150		110	≤2.0				
	18	NE520-018				φ 160		120	≤2.0				
	19	NE520-019				φ 140		100	≤2.0				
	20	NE520-020				8		φ 10	14/15/16	φ 150	137	110	≤2.0
	21	NE520-021	φ 160	120	≤2.0								
	22	NE520-022	φ 140	120	≤2.0								
	23	NE520-023	9	φ 10	14/15/16		φ 150			153		120	≤2.0
	24	NE520-024					φ 160					120	≤2.0

轮节径 [D]	序号	产品代码	槽数 [N]	绳径 [d]	槽距 [a]	孔径 [E]	轮宽 [B1]	毂宽 [B2]	梯速 [m/s]
φ 640	1	NE640-001	4	φ 16	25	φ 160	110	110	≤2.0
	2	NE640-002	5	φ 16	25	φ 170	135	120	≤2.0
	3	NE640-003	6	φ 16	25	φ 180	160	130	≤2.0
	4	NE640-004	7	φ 16	25	φ 190	185	150	≤2.0
	5	NE640-005	8	φ 16	25	φ 200	210	170	≤2.0
	6	NE640-006	9	φ 16	25	φ 210	235	180	≤2.0

### 备注:

1. 尼尔可以根据客户需求提供轴承、轴、U型螺栓等相关零部件。
2. 尼尔可根据客户需求，制作其它非标电梯传动轮。
3. 其余规格 φ 220/φ 250/φ 260/φ 280/φ 290/φ 300/φ 330/φ 350/φ 360/φ 410/φ 440/φ 450/φ 480/φ 500/φ 540/φ 600 等均有销售，欢迎咨询!

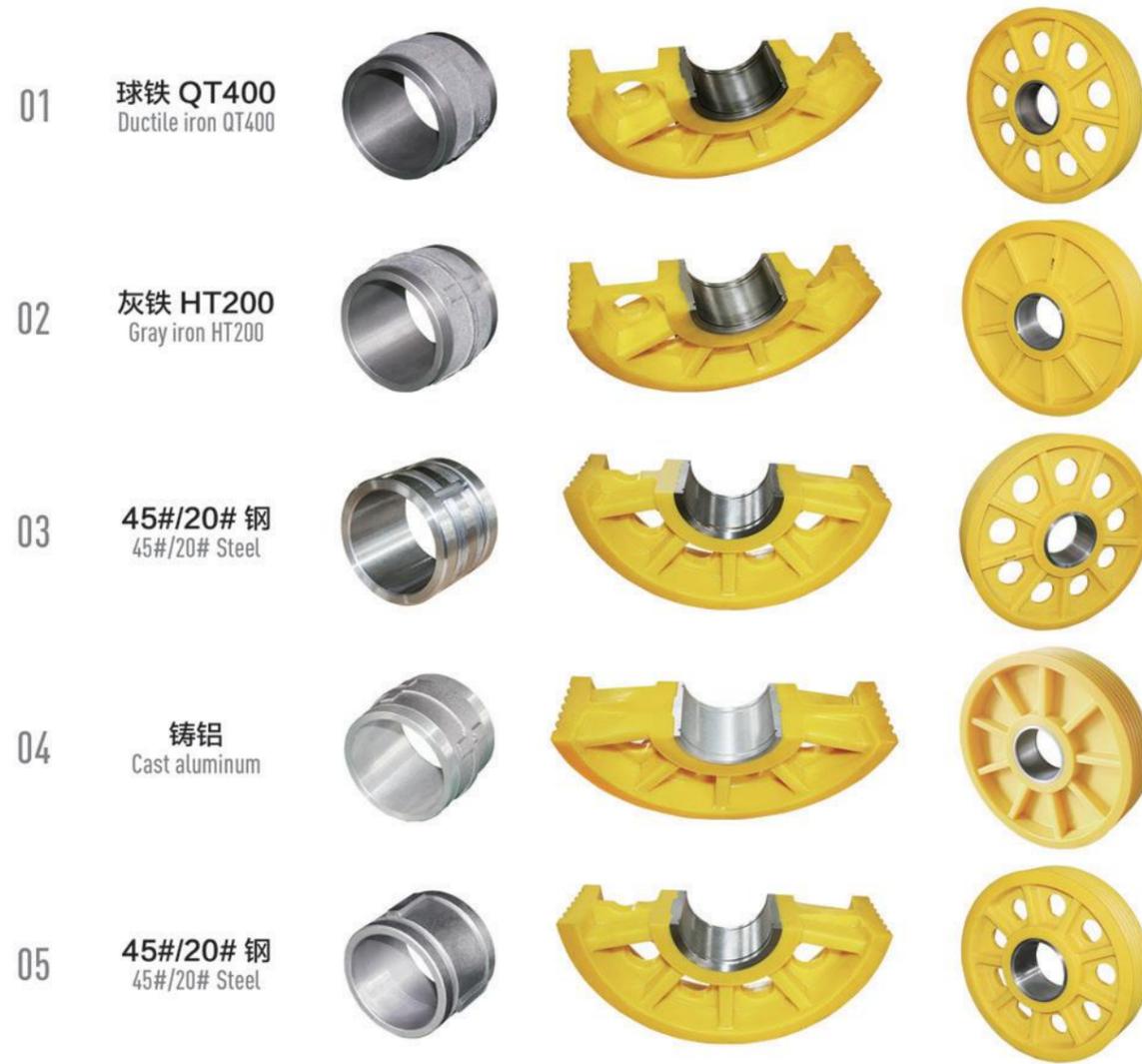
### REMARKS:

1. Nier can supply bearing, shaft, U-bolt and other accessory according to customer's request.
2. Nier can supply nylon pulley according to customer's request.
3. Nier can also produce other size according to your request, such as φ220/φ250/φ260/φ280/φ290/φ300/φ330/φ350/φ360/φ410/φ440/φ450/φ480/φ500/φ540/φ600, if any question, please feel free to contact us!

## 产品展示

Product Display

MC尼龙金属衬套电梯传动轮系列  
MC nylon metal bushing elevator driving sheave series



## 离心聚合一体式金属衬套尼龙轮

CENTRIFUGAL POLYMERIZED ONE-PIECE METAL BUSHING NYLON SHEAVE

### 设计理念:

新结构的设计思路源于铸铁轮的强度与尼龙轮的高耐磨这两大特性,使尼龙轮在电梯上的运用范围得到进一步拓展。

### 优越性:

1 由于尼龙轮与金属衬套离心聚合成一体,两种材料合二为一,使新型尼龙轮既保持了外部材料(尼龙)耐磨质轻的优点,也提高了内部材料(金属衬套)与轴承配合的强度及耐温的优点,稳定性更好。

2 由于金属衬套外表面不是绝对光滑,存在沟槽、凸起等表面结构,当尼龙处于熔体状态时,粘度很低,分子链会进入金属衬套表面微细结构,冷却后,金属衬套与尼龙轮孔内表面紧密接触,界面处的沟槽和凸起会阻挡金属衬套与尼龙轮孔剥离,从而产生很强的结合力。

### Design idea:

The design idea of new structure is from the strength of cast iron sheave and the high wear resistance of nylon sheave. It makes the usage of nylon sheave in elevator been further expanded.

### Advantage:

1 Due to nylon sheave and metal bushing are polymerized centrifugally into one piece, the two materials are combined into one, so that the new nylon sheave is not only with the advantage of high wear resistance, but also improve the strength and temperature resistance of bushing and bearings, the stability will be better.

2 Since the surface of metal bushing isn't smooth absolutely, there are grooves and protrusions on the surface. When nylon is melting, the molecular chain will enter into the microstructure of metal bushing's surface. The metal bushing will be in close contact with nylon sheave after cooling, the grooves and protrusions at interface will stop metal bushing from peeling off nylon sheave, which resulting in strong binding force.

## 常用规格标准化

Common specification standardization

MC尼龙金属衬套电梯传动轮系列  
MC nylon metal bushing elevator driving sheave series



轮节径 [D]	序号	产品代码	槽数 [N]	绳径 [d]	槽距 [a]	孔径 [E]	轮宽 [B1]	毂宽 [B2]	梯速 [m/s]
φ 150	1	NE150-001	3	φ 6	12	φ 80	60	70	≤ 3.0
	2	NE150-002	4	φ 6	12	φ 80	72	85	≤ 3.0
	3	NE150-003	5	φ 6	12	φ 90	84	90	≤ 3.0
	4	NE150-004	6	φ 6	12	φ 90	84	90	≤ 3.0

轮节径 [D]	序号	产品代码	槽数 [N]	绳径 [d]	槽距 [a]	孔径 [E]	轮宽 [B1]	毂宽 [B2]	梯速 [m/s]
φ 200	1	NE200-001	3	φ 8	12	φ 80	60	70	≤ 3.0
	2	NE200-002	4	φ 8	12	φ 90	72	85	≤ 3.0
	3	NE200-003	5	φ 8	12	φ 100	84	90	≤ 3.0
	4	NE200-004	6	φ 8	12	φ 110	84	90	≤ 3.0

轮节径 [D]	序号	产品代码	槽数 [N]	绳径 [d]	槽距 [a]	孔径 [E]	轮宽 [B1]	毂宽 [B2]	梯速 [m/s]
φ 240	1	NE240-001	3	φ 8	12	φ 80	60	70	≤ 3.0
	2	NE240-002	4	φ 8	12	φ 90	72	85	≤ 3.0
	3	NE240-003	5	φ 8	12	φ 100	84	90	≤ 3.0
	4	NE240-004	6	φ 8	12	φ 110	84	90	≤ 3.0

轮节径 [D]	序号	产品代码	槽数 [N]	绳径 [d]	槽距 [a]	孔径 [E]	轮宽 [B1]	毂宽 [B2]	梯速 [m/s]
φ 320	1	NE320-001	4	φ 8	12	φ 90-φ 100	60	85	≤ 3.0
	2	NE320-002				φ 110		90	≤ 3.0
	3	NE320-003				φ 120		95	≤ 3.0
	4	NE320-004				φ 130		95	≤ 3.0
	5	NE320-005	4			φ 90-φ 100	72	85	≤ 3.0
	6	NE320-006				φ 110		90	≤ 3.0
	7	NE320-007				φ 120		95	≤ 3.0
	8	NE320-008				φ 130		95	≤ 3.0
	9	NE320-009	4			φ 90-φ 100	84	85	≤ 3.0
	10	NE320-010				φ 110		90	≤ 3.0
	11	NE320-011				φ 120		95	≤ 3.0
	12	NE320-012				φ 130		95	≤ 3.0

### 备注:

1. 尼尔可以根据客户需求提供轴承、轴、U型螺栓等相关零部件。  
2. 尼尔可以根据客户需求,制作其它非标电梯传动轮。  
3. 其余规格 φ 220/φ 250/φ 260/φ 280/φ 290/φ 300/φ 330/φ 350/φ 360/φ 410/φ 440/φ 450/φ 480/φ 500/φ 540/φ 600 等均有销售, 欢迎咨询!

### REMARKS:

1. Nier can supply bearing, shaft, U-bolt and other accessory according to customer's request.  
2. Nier can supply nylon pulley according to customer's request.  
3. Nier can also produce other size according to your request, such as φ 220/φ 250/φ 260/φ 280/φ 290/φ 300/φ 330/φ 350/φ 360/φ 410/φ 440/φ 450/φ 480/φ 500/φ 540/φ 600, if any question, please feel free to contact us!

## 常用规格标准化

Common specification standardization

MC尼龙金属衬套电梯传动轮系列  
MC nylon metal bushing elevator driving sheave series



轮节径 [D]	序号	产品代码	槽数 [N]	绳径 [d]	槽距 [a]	孔径 [E]	轮宽 [B1]	毂宽 [B2]	梯速 [m/s]				
φ 400	1	NE400-001	4	φ 10	14/15/16	φ 100	73	85	≤ 3.0				
	2	NE400-002				φ 110		90	≤ 3.0				
	3	NE400-003				φ 120		95	≤ 3.0				
	4	NE400-004				φ 130		95	≤ 3.0				
	5	NE400-005				φ 140		100	≤ 3.0				
	6	NE400-006	5	φ 10	14/15/16	φ 100	89	85	≤ 3.0				
	7	NE400-007				φ 110		90	≤ 3.0				
	8	NE400-008				φ 120		95	≤ 3.0				
	9	NE400-009				φ 130		95	≤ 3.0				
	10	NE400-010				φ 140		100	≤ 3.0				
	11	NE400-011	6	φ 10	14/15/16	φ 100	105	85	≤ 3.0				
	12	NE400-012				φ 110		90	≤ 3.0				
	13	NE400-013				φ 120		95	≤ 3.0				
	14	NE400-014				φ 130		95	≤ 3.0				
	15	NE400-015				φ 140		100	≤ 3.0				
	16	NE400-016	7	φ 10	14/15/16	φ 140	121	100	≤ 4.0				
	17	NE400-017				φ 150		110	≤ 4.0				
	18	NE400-018				φ 160		120	≤ 4.0				
	19	NE400-019				φ 140		100	≤ 4.0				
	20	NE400-020				8		φ 10	14/15/16	φ 150	137	110	≤ 4.0
	21	NE400-021	φ 160	120	≤ 4.0								
	22	NE400-022	φ 140	120	≤ 4.0								
	23	NE400-023	9	φ 10	14/15/16		φ 150			153		120	≤ 4.0
	24	NE400-024					φ 160					120	≤ 4.0

**备注:**

1. 尼尔可以根据客户需求提供轴承、轴、U型螺栓等相关零部件。
2. 尼尔可根据客户需求，制作其它非标电梯传动轮。
3. 其余规格 φ 220/ φ 250/ φ 260/ φ 280/ φ 290/ φ 300/ φ 330/ φ 350/ φ 360/ φ 410/ φ 440/ φ 450/ φ 480/ φ 500/ φ 540/ φ 600 等均有销售， 欢迎咨询!

**REMARKS:**

1. Nier can supply bearing, shaft, U-bolt and other accessory according to customer's request.
2. Nier can supply nylon pulley according to customer's request.
3. Nier can also produce other size according to your request, such as φ220/φ250/φ260/φ280/φ290/φ300/φ330/φ350/φ360/φ410/φ440/φ450/φ480/φ500/φ540/φ600, if any question, please feel free to contact us!

MC尼龙金属衬套电梯传动轮系列  
MC nylon metal bushing elevator driving sheave series



轮节径 [D]	序号	产品代码	槽数 [N]	绳径 [d]	槽距 [a]	孔径 [E]	轮宽 [B1]	毂宽 [B2]	梯速 [m/s]				
φ 520	1	NE520-001	4	φ 10	14/15/16	φ 100	73	85	≤ 3.0				
	2	NE520-002				φ 110		90	≤ 3.0				
	3	NE520-003				φ 120		95	≤ 3.0				
	4	NE520-004				φ 130		95	≤ 3.0				
	5	NE520-005				φ 140		100	≤ 3.0				
	6	NE520-006	5	φ 10	14/15/16	φ 100	89	85	≤ 3.0				
	7	NE520-007				φ 110		90	≤ 3.0				
	8	NE520-008				φ 120		95	≤ 3.0				
	9	NE520-009				φ 130		95	≤ 3.0				
	10	NE520-010				φ 140		100	≤ 3.0				
	11	NE520-011	6	φ 10	14/15/16	φ 100	105	85	≤ 3.0				
	12	NE520-012				φ 110		90	≤ 3.0				
	13	NE520-013				φ 120		95	≤ 3.0				
	14	NE520-014				φ 130		95	≤ 3.0				
	15	NE520-015				φ 140		100	≤ 3.0				
	16	NE520-016	7	φ 10	14/15/16	φ 140	121	100	≤ 4.0				
	17	NE520-017				φ 150		110	≤ 4.0				
	18	NE520-018				φ 160		120	≤ 4.0				
	19	NE520-019				φ 140		100	≤ 4.0				
	20	NE520-020				8		φ 10	14/15/16	φ 150	137	110	≤ 4.0
	21	NE520-021	φ 160	120	≤ 4.0								
	22	NE520-022	φ 140	120	≤ 4.0								
	23	NE520-023	9	φ 10	14/15/16		φ 150			153		120	≤ 4.0
	24	NE520-024					φ 160					120	≤ 4.0

轮节径 [D]	序号	产品代码	槽数 [N]	绳径 [d]	槽距 [a]	孔径 [E]	轮宽 [B1]	毂宽 [B2]	梯速 [m/s]
φ 640	1	NE640-001	4	φ 16	25	φ 160	110	110	≤ 3.0
	2	NE640-002	5	φ 16	25	φ 170	135	120	≤ 3.0
	3	NE640-003	6	φ 16	25	φ 180	160	130	≤ 3.0
	4	NE640-004	7	φ 16	25	φ 190	185	150	≤ 6.0
	5	NE640-005	8	φ 16	25	φ 200	210	170	≤ 6.0
	6	NE640-006	9	φ 16	25	φ 210	235	180	≤ 6.0

**备注:**

1. 尼尔可以根据客户需求提供轴承、轴、U型螺栓等相关零部件。
2. 尼尔可根据客户需求，制作其它非标电梯传动轮。
3. 其余规格 φ 220/ φ 250/ φ 260/ φ 280/ φ 290/ φ 300/ φ 330/ φ 350/ φ 360/ φ 410/ φ 440/ φ 450/ φ 480/ φ 500/ φ 540/ φ 600 等均有销售， 欢迎咨询!

**REMARKS:**

1. Nier can supply bearing, shaft, U-bolt and other accessory according to customer's request.
2. Nier can supply nylon pulley according to customer's request.
3. Nier can also produce other size according to your request, such as φ220/φ250/φ260/φ280/φ290/φ300/φ330/φ350/φ360/φ410/φ440/φ450/φ480/φ500/φ540/φ600, if any question, please feel free to contact us!